

TTV 1603 F

Microcam

Features

- Monobloc, portable, self-contained, miniature, light and sturdy, broadcast type colour camera especially fitted for Electronic News Gathering (ENG).
- Can be used either with a portable video tape recorder to record the event on the spot, or with a small mobile transmitter for live transmission.
- Easy to use: many automatic features.
- 3 versions: SECAM, PAL and NTSC. To switch from one version to another, only two printed circuits have to be changed.
- Low power consumption: operates on batteries.
- Three lead oxide diode gun tubes of 17 mm (2/3").
- Self-contained 3.8 cm (1.5") camera monitor.
- Interchangeable lenses.
- Lightweight: chassis made of magnesium/aluminium.
- Small size: concentration of controls and automatic facilities.
- As easy to use as a 16 mm cinema camera.
- A number of optional devices can be added to this camera to extend its use to outside or studio production: power supply, synchronization, monitoring, remote control, sound and chroma-key.



Use

Light and easy to operate outside, the TTV 1603 F monobloc microcam is mainly intended for Electronic News Gathering (ENG). However, adding a few optional devices, it can be used for "EFP" outside production or in a studio.

With the TTV 1603 F the operator can cover the event either recording with a portable video tape recorder or using a portable transmitter for live transmission, because the camera can be associated either with the TTV 3901 or TTV 3905 3/4" VTR or with the TRE 3706 transmitter (1.43 GHz or 2.5 GHz).

On-site editing and immediate transmission of the program to the TV center are performed via an especially designed light O.B. vehicle.

When used outside or in studio, the camera is remote controlled for power supply, synchronization and operation from a control box through a multilead cable (12.5 mm o.d.). The maximum length of the cable is 250 m. For longer lengths (up to 1200 m), a tri-axial cable is workable (13.5 mm o.d.).



Data summary

Electrical

Supply

- 10.5 V to 17 V D.C.
- Overall consumption (at 12 V):
≤ 26 W.

Power is supplied to the camera either from a battery or from the mains. Belt with a manually switchable nickel-cadmium battery (capacity: 3.5 AH) is available, allowing independent operation for 1.5 hour. Power can also be supplied from the battery of the video tape recorder (e.g. TTV 3905 P/S or TTV 3710 VTR).

- A picture is obtained within 4 s from the standby position.

Television systems

- 625 lines - 50 fields - SECAM or PAL.
- 525 lines - 60 fields - NTSC or PALM.

Pick-up tubes

- Three 17 mm (2/3") tubes.
- Plumbicon XQ 2427 R, G, B diode gun.

Input signals

- Gen-lock signal: composite colour video signal (1 V/75 Ω) or coded black signal.
- Outside video: 1 V/75 Ω, - 60 dB.
- VTR battery check.
- VTR sync. check (aerial).

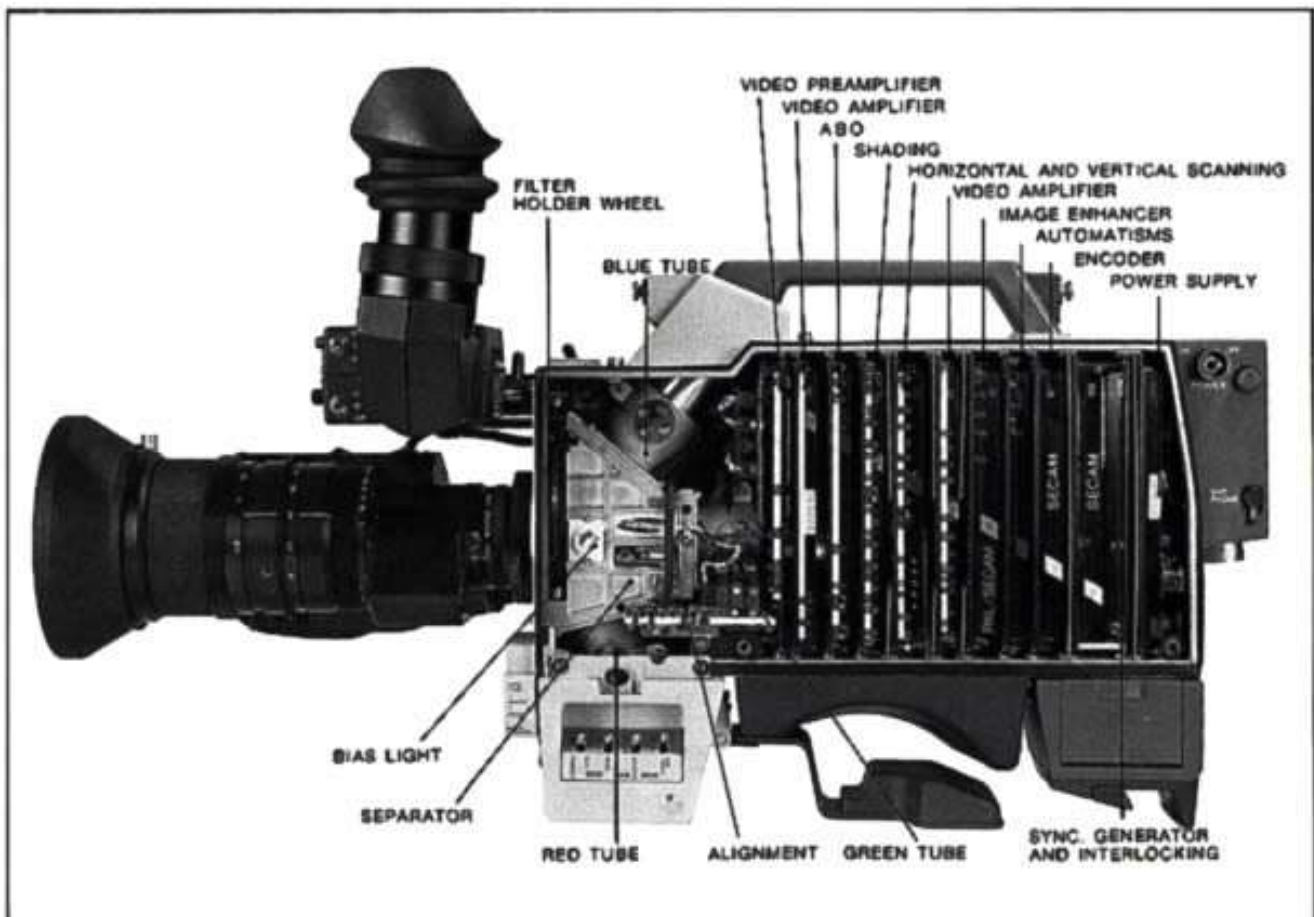
- Omnidirectional micro sound.
- Audio control.

Output signals

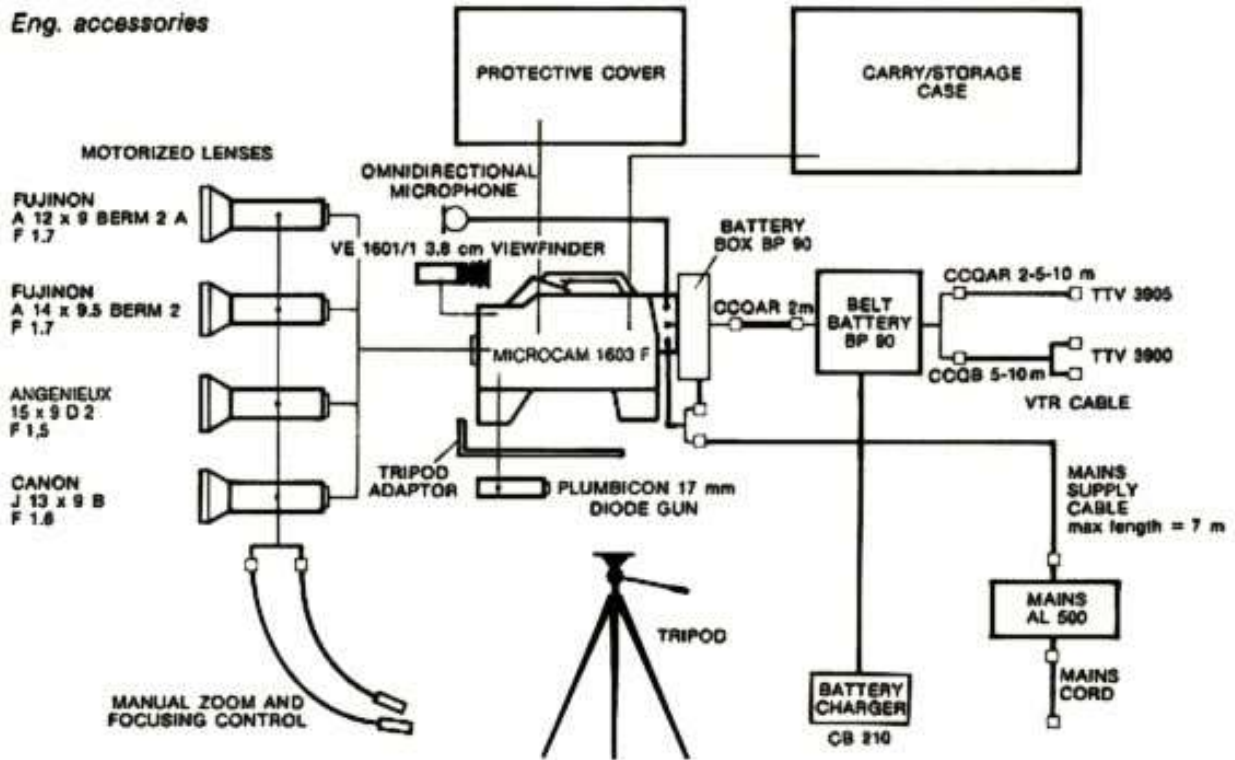
- Three coded video 1 V/75 Ω.
- R, G, B or R-G, B-G video control: 1 V/75 Ω.
- Test output: R, G, B, mixed sync. and mixed blanking high impedance.
- VTR on/off.
- VTR standby.

Controls

- Camera on/off, standby, VTR standby.
- Colour bars on/off.
- Selection of control output R, G, B, R-G, B-G, encoded.
- Overall gain 0, + 9, + 18 dB.
- Black balance on/off.
- White balance on/off (position 3200 °K).
- Auto-centering on/off (with preset).
- Hatching on/off.
- VTR on/off.
- Aerial control light on/off.
- Switching external video on viewfinder.
- Horizontal and vertical centering control for red and blue channels.
- Overall black level adjustment.
- Viewfinder: brightness, contrast, peaking (by switching).

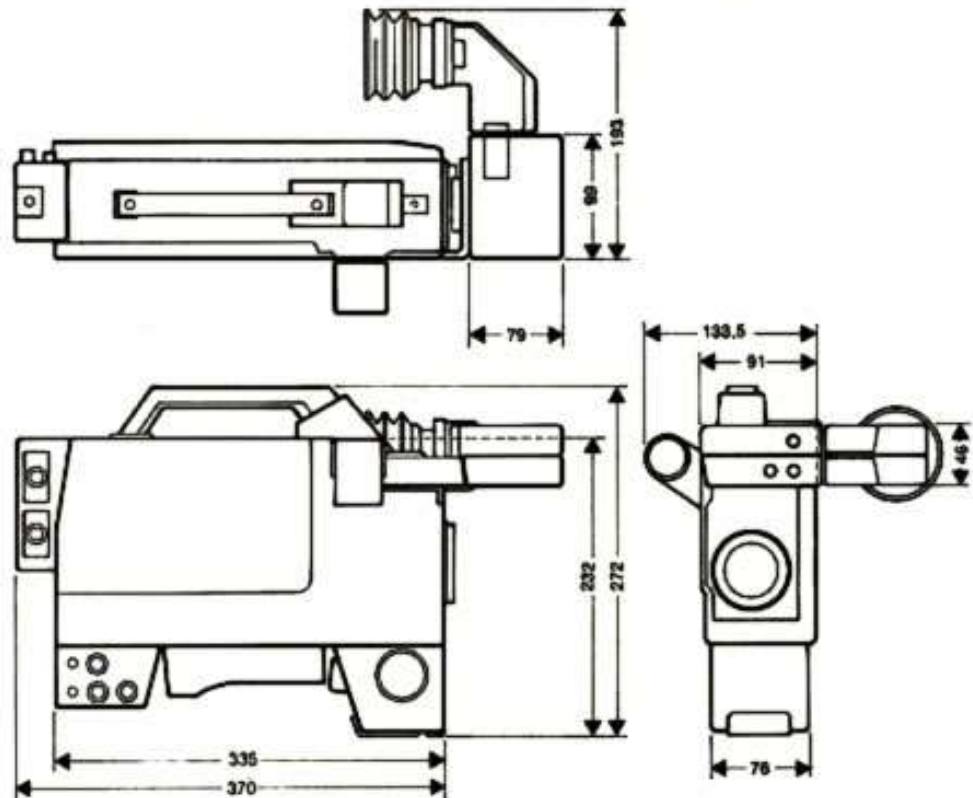


Eng. accessories



Mechanical Characteristics

WEIGHT : CAMERA (without lens): 5.3 kg
VIEWFINDER: 0.6 kg



THOMSON-CSF

DIVISION VIDÉO ÉQUIPEMENT

94, rue du Fossé-Blanc - 92231 Gennevilliers - France

Tél.: 790.65.49 - Télex: TCSF 620 573 F et TCSF 204 780 F