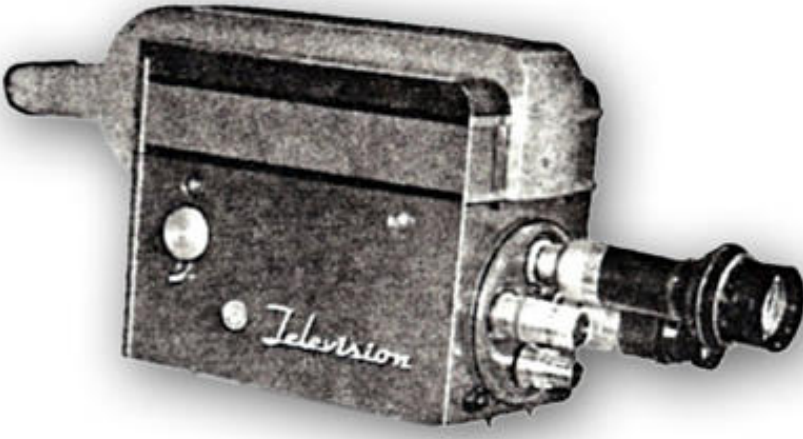


European and American Television Cameras

	Make	RCA
	Model	TK-10A TK-30
	Country	USA
	Camera Type :	
	Full size studio camera TK 10 Full size field camera TK 30	
Camera Description :		
Studio camera with removable viewfinder (MI-26005), hinge down side panels and doors over controls at rear. Taking lens at top of turret.		

Data		Data	
Tube details	1 x 3" Image Orthicon	Line standards	525/60
Lens details	4 lens turret with "Ektar" lenses	Drives or locking	MB, MS, LD, FD, 4 volt pulses
Sig. to Noise		Weight *	49Kg.
Sensitivity	50 Ft. candles minimum	Colours	
Resolution	Determined by tube, amp. flat 8Mhz	Dimensions *	476H x 329W x 616L mm.
Viewfinder	5 inch tube type 5FP4A	Date introduced	1946?
Camera cable	Cannon 1000ft max. Type MI-94-C	Price	\$15,000 in 1948 *
Power supply	117V. 60Hz. 1560 watts		

*Excluding Lenses

Associated equipment

Camera control Unit type MI-26055, Power Supply type WP-33B, Focus supply type 580C, Camera monitor type TM-5A, Console housing type MI-26266B.

Features

The camera used 15 tubes plus the I.O. tube.
 The viewfinder used 11 tubes plus the CRT.
 The CCU used 16 Tubes. These were a mixture of Octal and B9A types.

General description

The TK-10 is the studio camera version with the camera control equipment in a floor standing console with a flat surface in front of the console for the operator to use. The principle controls are on edge thumbwheels. There is no provision for remote control of the Iris for either type of camera.

The TK-30 is the field pickup version, the camera is very similar, but all the control equipment is fitted into a range of portable cabinets.

References

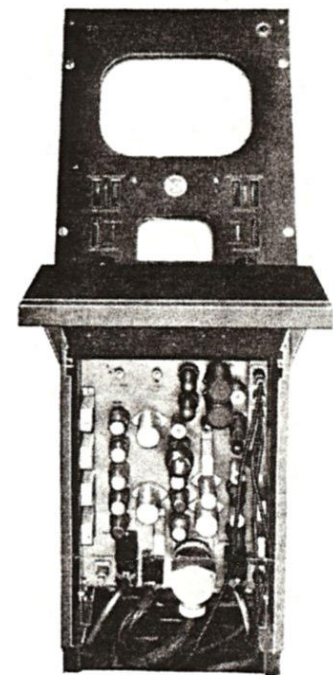
Product catalogue. A full description of the TK-30 is in the proceedings of the I.R.E, December 1947 pages 1532-1546. RCA Broadcast news 153

Innovations

Optical focusing by moving the I.O tube in its scanning yoke instead of moving the lens. Removable electronic viewfinder with normal or periscope hoods, 4 lens turret, 4 tally lights, talkback, camera operational light range 75 - 150 ft. candles. Most controls normally preset. Early use of IO tube?

Notes

This design laid down the overall layout for RCA and Marconi cameras for this and subsequent models.



The Camera control unit for the TK-10A